

Craft Series Vanity
CVWI72 Willowmere Vanity Specification Sheet

FEATURES

- Distinctive mitered raised panel doors
- Matching raised panel side
- Richly textured oak finish
- Decorative metal leg detail
- Adjustable storage shelves

MATERIALS & CONSTRUCTION

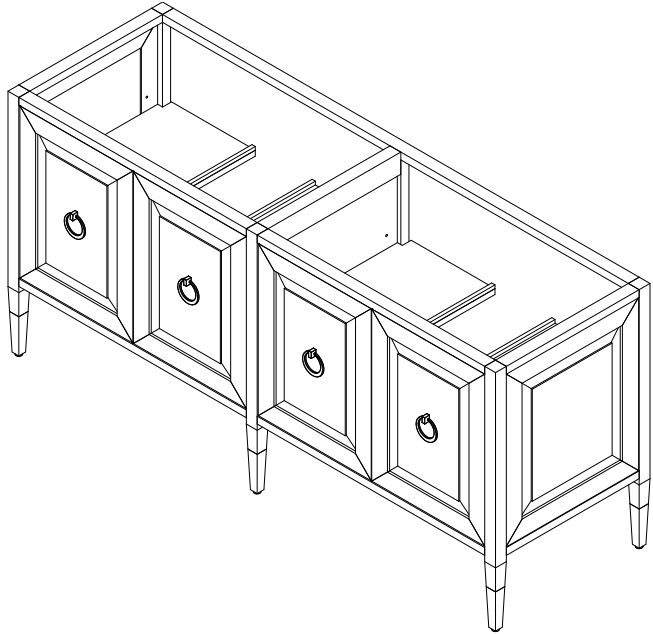
- Solid wood and veneer construction
- Full plywood back panel, no cutout
- Stainless steel ring pulls
- Adjustable Blum 95° soft-close hinges
- Durable, moisture resistant polyurethane finish
- Adjustable leveling feet

OPTIONS

- Available in:
 - CVWI7221088 - Weathered Oak Drift with Antique Bronze
 - CVWI7221368 - Drifted Matte Brown with Iron Black
- Coordinating Ann Sacks Stone Tops and Kallista Sink:
 - AS19023, Carrara Marble
 - AS19024, Carrara Marble
 - P74235-WO-0, Perfect Centric Rectangle

DIMENSIONS

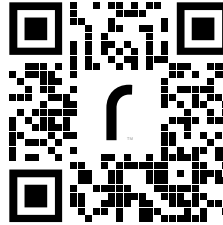
- Width: 71" (1802mm)
- Height: 33-3/16" (843mm)
- Depth: 22-1/2" (571mm)



MODEL NUMBER KEY

PRODUCT LINE	CATEGORY	COLLECTION	WIDTH	FINISH OPTIONS
C = Craft Series	V = Vanity	WI = Willowmere	72	(See above)

MORE INFORMATION



Scan the QR code to see the details found in the Craft Vanity installation instructions.

Use the camera app on your mobile device to look at this QR code. This will allow you to quickly access web pages and other relevant documents.

